

# Technical data sheet

Product features



## Worktop with drawer

**Model**

**SAP Code**

00020326

– Material: AISI 304



# Technical data sheet

Technical drawing

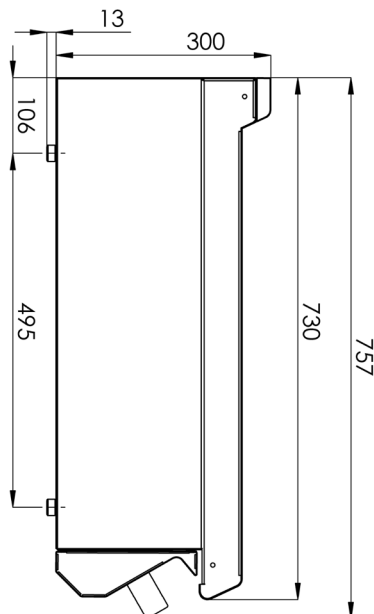
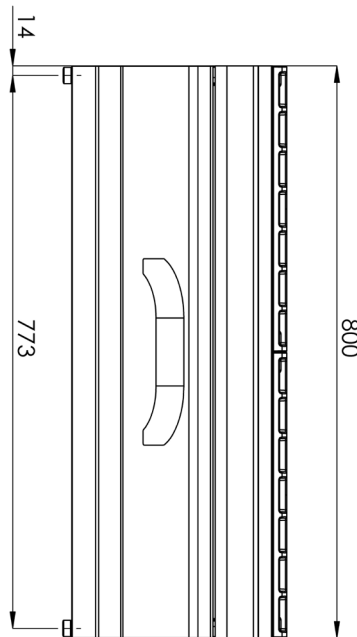
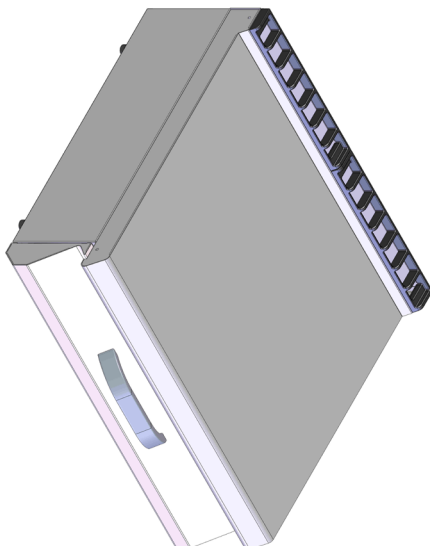


Worktop with drawer

Model

SAP Code

00020326



# Technical data sheet

Technical parameters



## Worktop with drawer

**Model**

**SAP Code**

00020326

**1. SAP Code:**

00020326

**6. Gross Width [mm]:**

840

**2. Net Width [mm]:**

800

**7. Gross depth [mm]:**

800

**3. Net Depth [mm]:**

730

**8. Gross Height [mm]:**

480

**4. Net Height [mm]:**

300

**9. Gross Weight [kg]:**

48.00

**5. Net Weight [kg]:**

38.90

**10. Material:**

AISI 304